



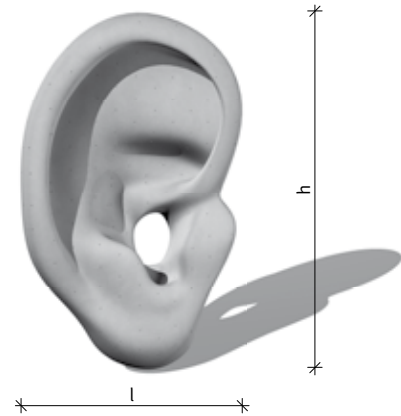
CLIMBING EAR

D

ITEM NO.	LENGTH	EFFECTIVE HEIGHT	ELEMENT HEIGHT
SG001	220 cm	300 cm	360 cm

Incl. CREFIX® coating and holds on all sides. Surface only available in Start execution. Base provided by customer. Element of high quality solid C 30/37 concrete.

Design: Eva Rudolph, Independent architect



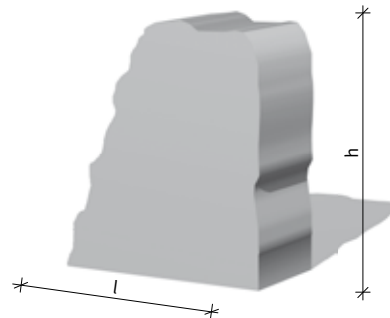
CLIMBING ROCK

E

ITEM NO.	LENGTH	EFFECTIVE HEIGHT
KFL01	250 cm	290 cm

Incl. CREFIX® coating and holds on all sides. Surface only available in Special execution. Base provided by customer.

Element of high quality C 30/37 concrete. Also available with opening to climb through against surcharge.



CLIMBING EGG

F

ITEM NO.	LENGTH	EFFECTIVE HEIGHT	ELEMENT HEIGHT
KLE01	306 cm	300 cm	393 cm

Incl. CREFIX® coating and holds on all sides. Surface only available in Start execution. Base provided by customer.

Design: Geskes und Hack, Landscape architects

